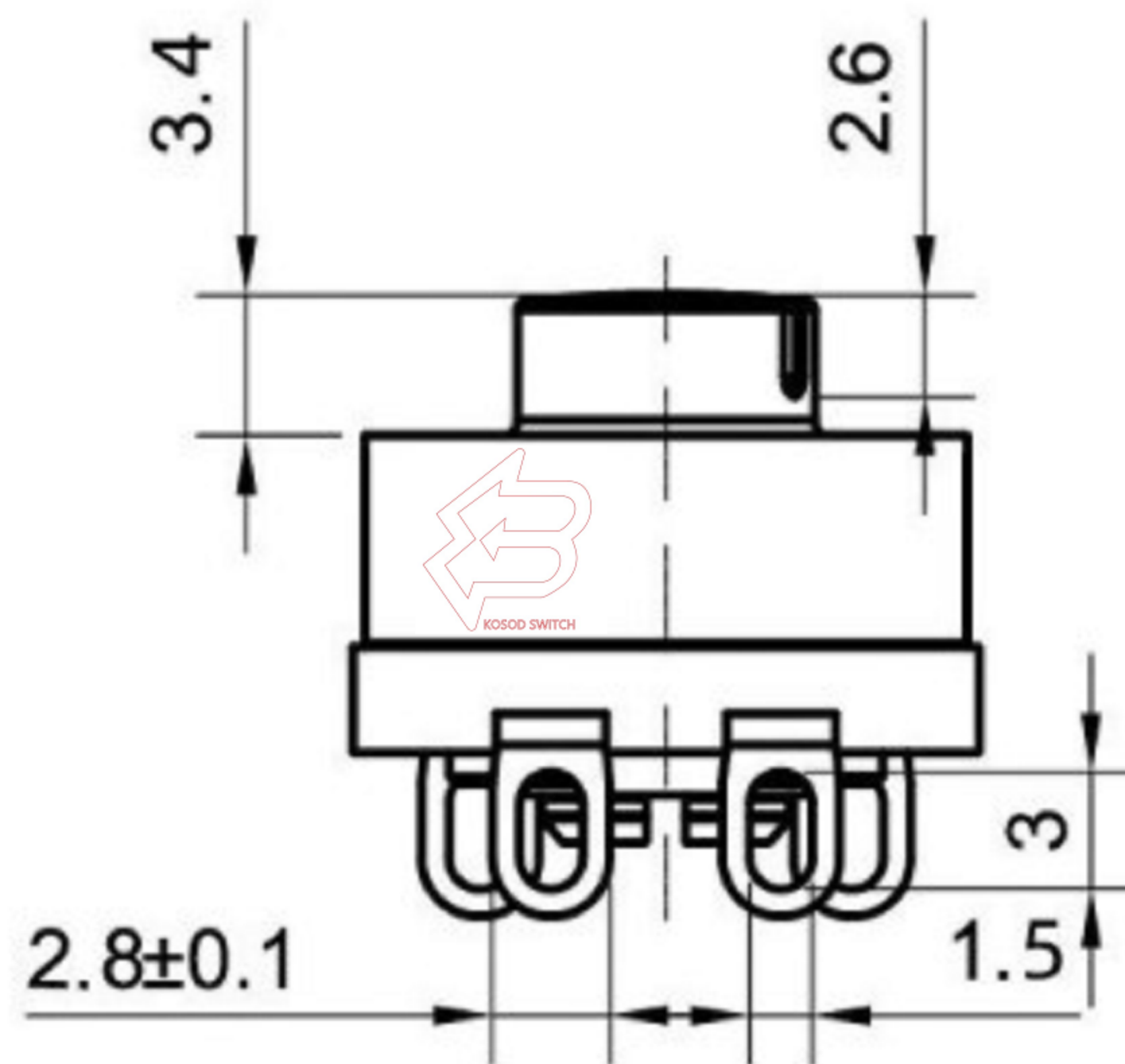
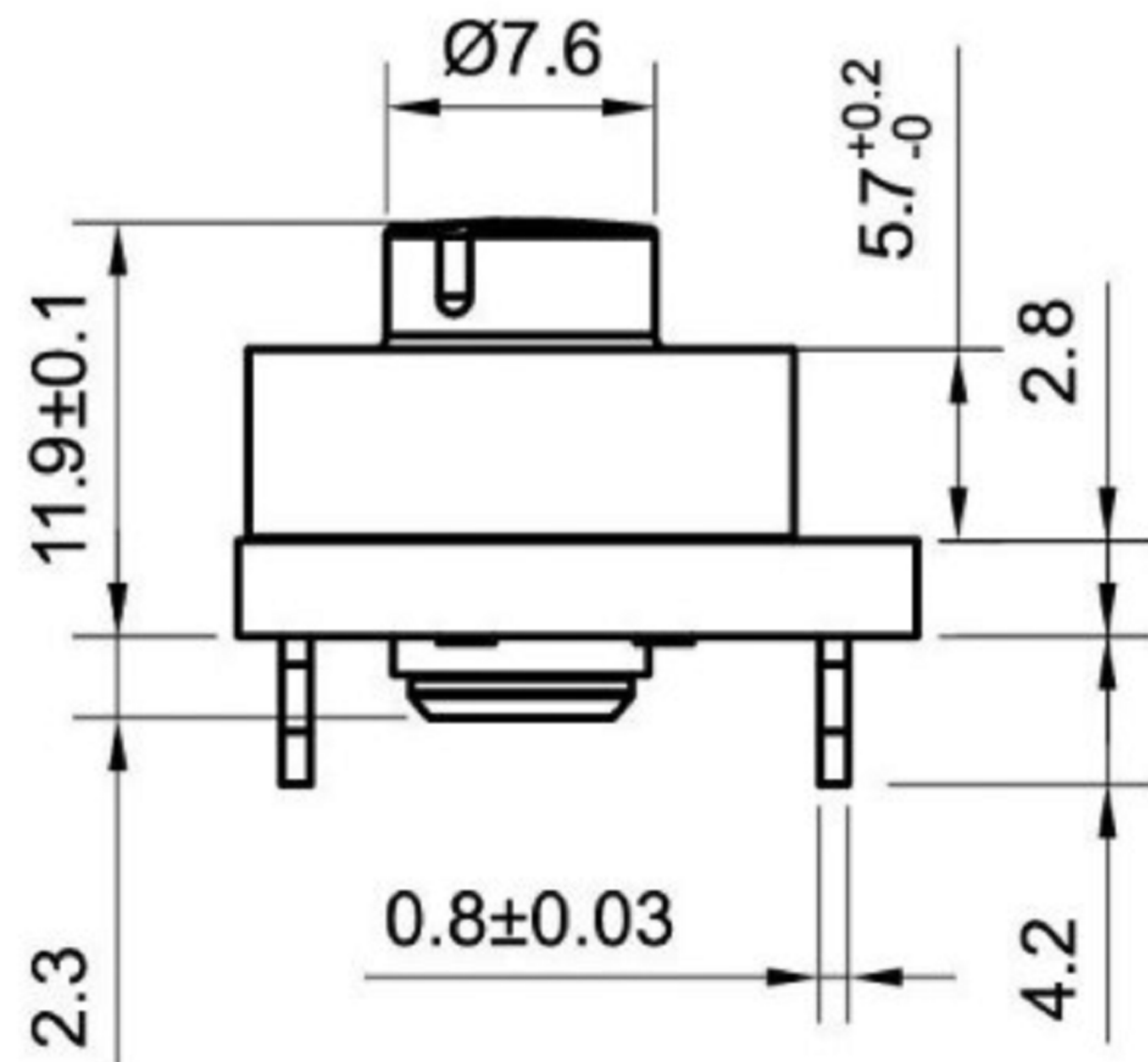


电流电路
CURRENT CIRCUIT

POSITION	CIRCUIT
A	
B	



旋转开关

- 电压转换开关型号 CHANGE-OVER SELECTOR MODEL: CYB-ASR1
- 焊线端子 SOLDER CONNECTOR TYPE;
双刀双掷 DOUBLE POLE DOUBLE THROW
- 额定值 RATING: ▲16(3)A 125/250VAC μ T105/55

▲16A 125/250VAC μ T85/55
10A 125/250VAC μ T85/55
5A 125/250VAC μ T85/55

- 接触电阻 CONTACT RESISTANCE: <50m Ω (INITIAL)
- 绝缘电阻 INSULATION RESISTANCE: \geq 100M Ω (DC500V/1MIN)
- 介电强度 DIELECTRIC STRENGTH: 1500V /5mA /1MIN
- 机械寿命 MECHANICAL LIFE: >50000 CYCLES
- 电气寿命 ELECTRICAL LIFE: >1000 CYCLES
- 端子手工焊接条件 SOLDER ABILITY OF TERMINAL: MAX260°C. 3S
- 操作力 OPERATION FORCE: 700 \pm 200gf
- 所有部件均使用环保材料 ALL MATERIALS ARE RoHS COMPLIANT

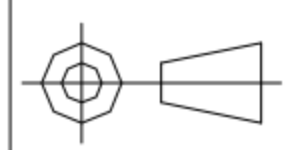


东莞市高迪电子有限公司
DONG GUAN GAO DI ELECTRONICS CO., LTD

TOLERANCE UNLESS
OTHERWISE STATED:

Up to 5 \pm 0.2
Above 5 ~ 15 \pm 0.3
Above 15 ~ 30 \pm 0.4
Above 30 ~ 50 \pm 0.5
Angle \pm 0.3°

3RD.
ANGEL'S



UNITS MM

DRAWN BY: DATE
Ming Ming Zou 07/23/13
CHECKED BY: DATE
Ning Ning Su 07/23/13
APPROVED BY: DATE
Jia Xiang 07/23/13

MAT'L	TITLE	ENCODER
FINISH	MODLE	ENCODER W/I SWITCH
SCALE	DWG NO.	GD-CYB-ARS1
SHEET NO.	PART NO.	

ITEM NO.	DESCRIPTION	DRAWN	DATE
2	公差及料號更新	Jack	072313
1	圖面更新	Frank Wu	021012

SIZE
A4
VER
R2